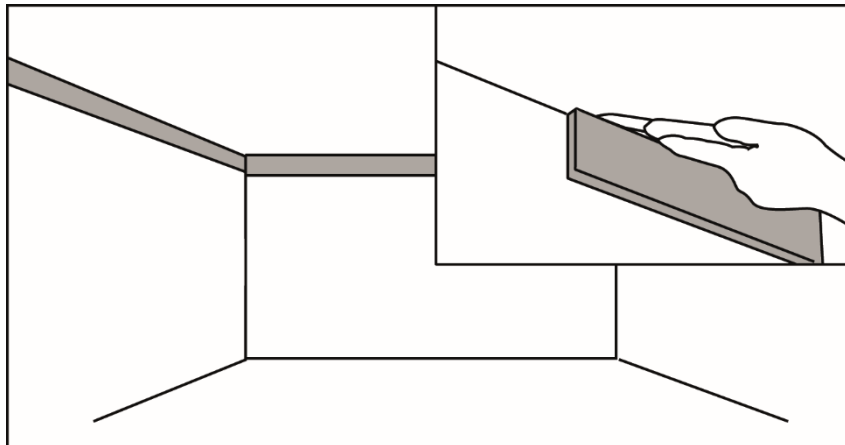


Installation guide ceiling heating eSYSTEM

Low temperature electric ceiling heating system based on clay

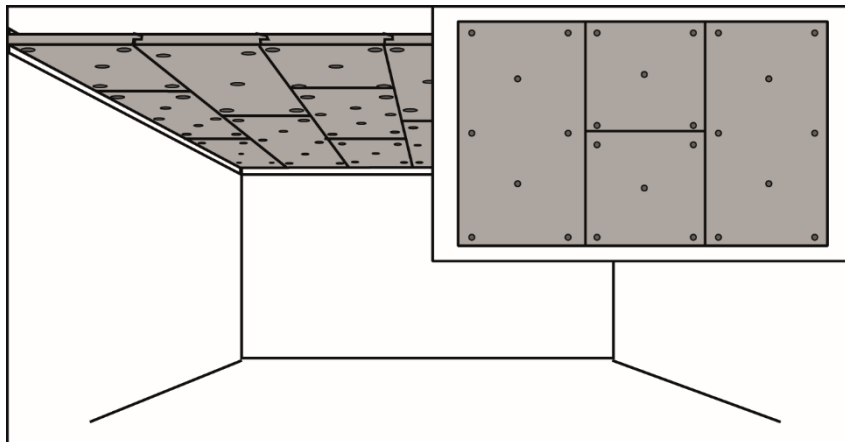
Full surface mounting on ceiling or slope



Edge insulation strip 50x10mm space-enclosing

The use of soft wood fibre materials is recommended.

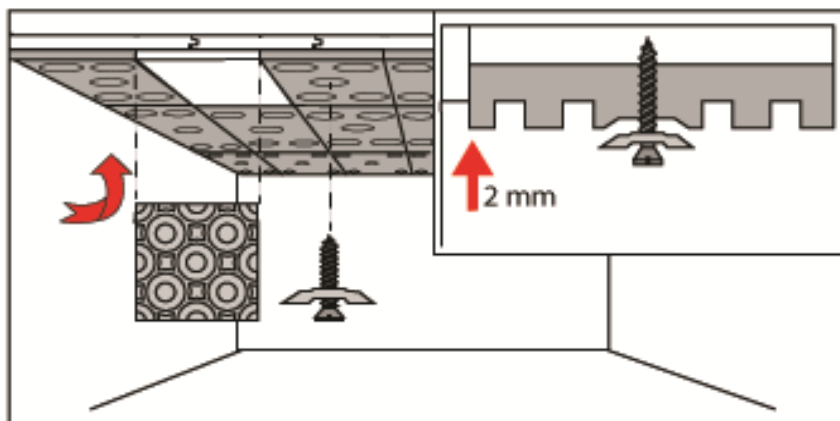
Execution: Construction company / drywall builder



22mm ESB-Plus P5 or OSB chipboard with e.g. Fischer frame anchor SXR 8x80T or SXR 8x100T (ceiling approval by multiple fixing) or nail anchor 6x30/50 to the ceiling directly or with suspension.

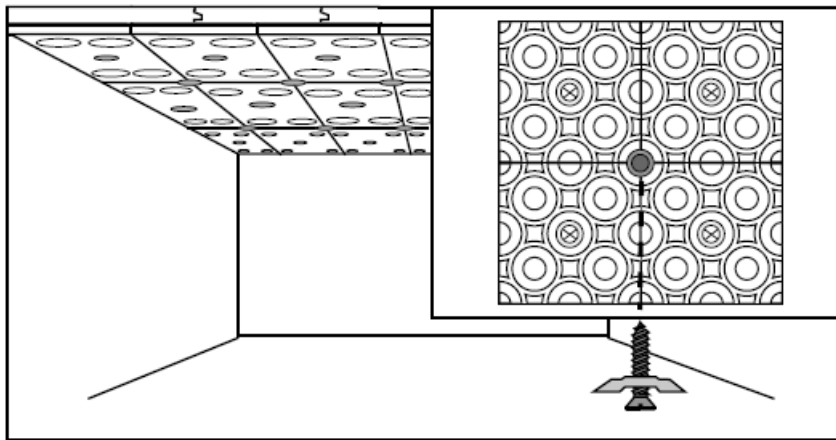
Always use chipboard with tongue and groove joint in the bond. Before mounting, make the holes for cable bushings, lamps, etc.

Execution: Construction company / drywall builder



Lay the high-performance clay modules on a cross joint and fix them only in the middle with a screw. Cover the remaining surfaces with ArgillaTherm® clay compensation panels, also with cross joints. Always use stainless steel screw load distribution discs 5/50 and stainless steel construction screws 5/45 from ArgillaTherm®! Set the slipping clutch to 4-5 Nm. The overtorque is 8.50 Nm

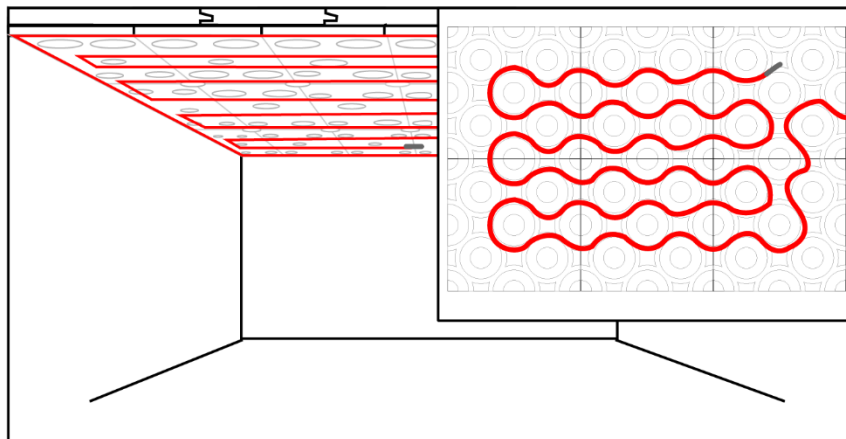
Execution: Construction company / drywall builder



After the ceiling is completely covered, screw down all cross points and connections of the high-performance clay modules and the compensation panels.

Please note: The plate joints of the grooved and compensation panels should not be directly above the plate joints of the chipboards.

Execution: Construction company / drywall builder

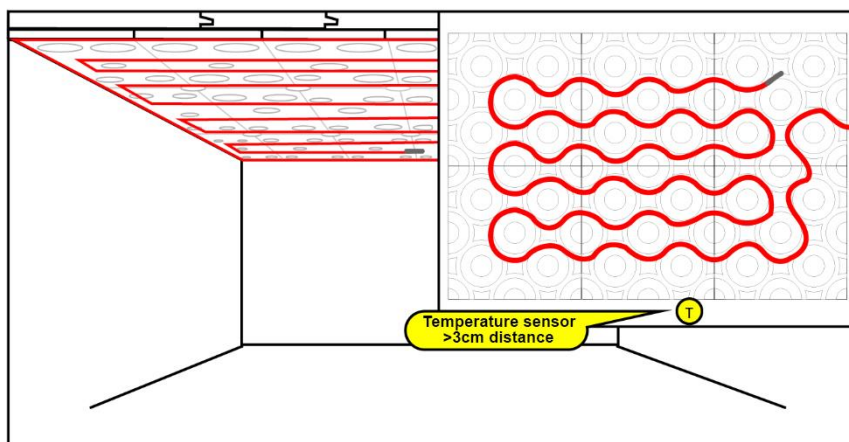


Lay the ArgillaTherm® resistance cable in the grooves of the high-performance clay modules using a cable tester (recommendation: Warmup Watchdog), starting at the transition from cold to warm conductor (label with red and blue arrow).

Finally cover the outer circumferential groove; this serves as a safety run-out track!

Always ground the protective conductor!

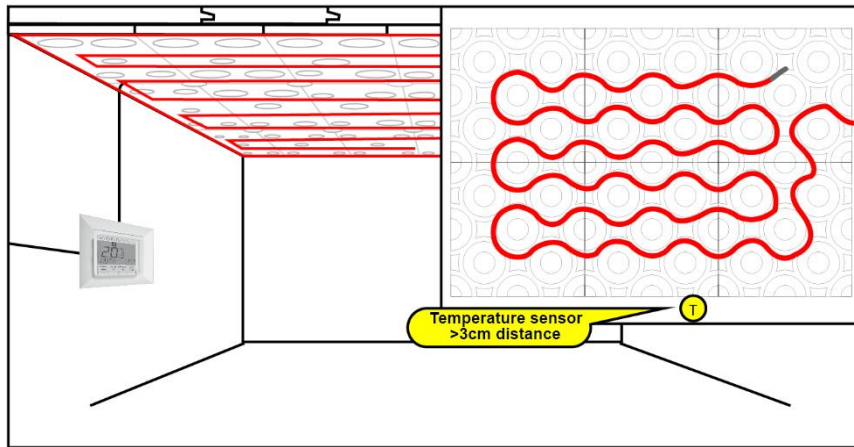
Execution: electrician/construction company



Installation of the ceiling sensor without empty pipe in the groove. Place the white sensor head 3cm from the nearest heating cable and at least 10cm from the wall!

Execution: electrician/construction company

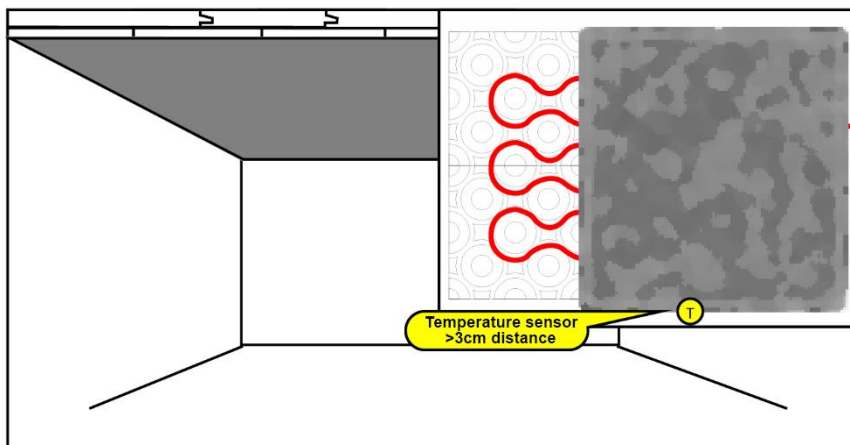




Installation of the ArgillaTherm® room thermostat (free choice of location).

Connect the ceiling sensor and resistance heating cable and connect the thermostat to the power supply.

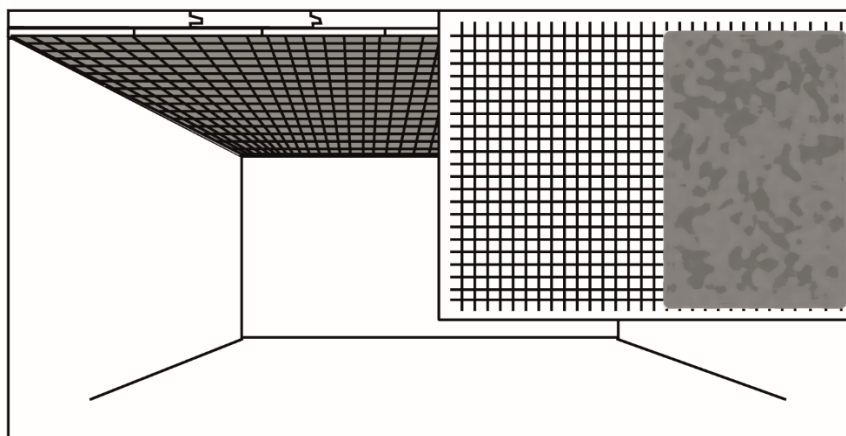
Execution: electrician



Slightly wet the clay panels in front

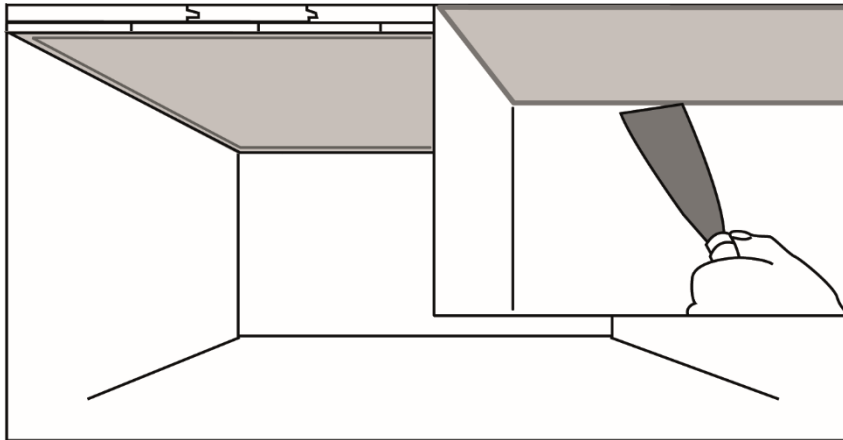
Fill the grooves of the high-performance clay modules with THERMO clay plaster and let it tighten briefly. Attention: The grooves should be filled up promptly after the heating cables have been inserted. Damp work such as screeds or plastering should be completed before installing the High-Performance Clay Modules.

Execution: Building contractor/drywall builder



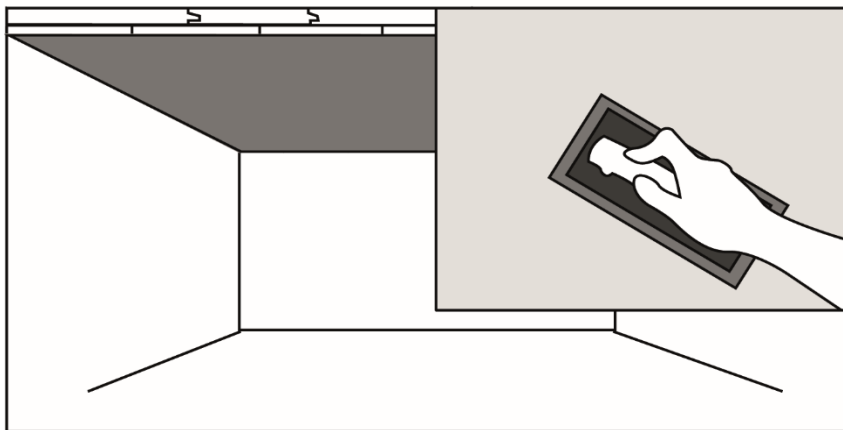
Apply a 3-5mm levelling layer of clay plaster THERMO with a suitable toothed trowel and work in fabric, overlapping sufficiently, with a subsequent 2mm top layer and allow to set. The surface should be smoothed as much as possible!

Execution: Construction company/drywall builder



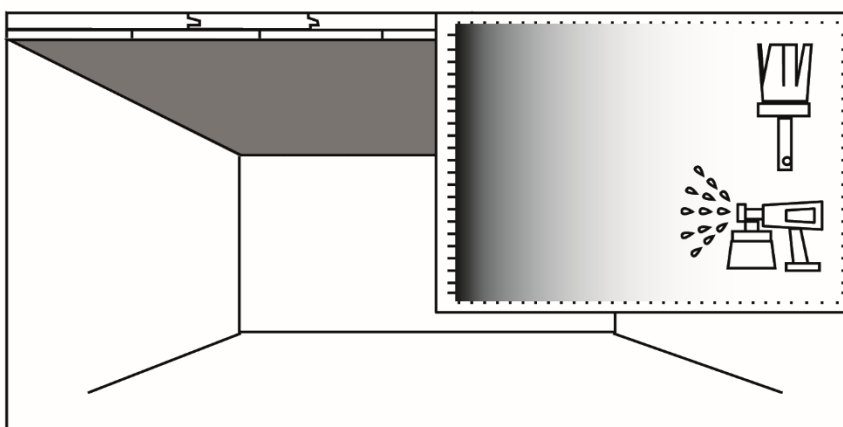
Make a direct connection to the wall by cutting the trowel around the room.

Execution: Construction company / drywall builder



After sufficient tightening, smooth the surface with a sponge trowel or a special felting machine in surface quality Q2.

*Execution: Construction company / 4
drywall builder*



Application of the clay paint (standard or acoustic paint) by brushing or spraying twice.

For a uniform appearance, the clay paint should be finished in one working day with a mixture over the entire surface.

Execution: Construction company / drywall builder / End customer



System requirements

- ✓ Structural requirements and overlapping trades are to be taken into account or planned accordingly.
- ✓ In the case of direct ceiling mounting or suspension: adequate statics or load-bearing capacity must be ensured.
- ✓ For direct ceiling mounting: the requirements on the masonry according to DIN 18560 must be taken into account. The surfaces must not show any major unevenness. The values of DIN 18202 form the basis.
- ✓ Use suitable screws to fix the substructure to the ceiling, e.g. long-shaft anchor SXR 8x80T or SXR 8x100T with safety screw (Fischer company, ETA approval in concrete and masonry) or nail anchor 6x30/50.
- ✓ Depending on the ceiling substructure, sufficient fastening points with screw load distribution discs from ArgillaTherm[®] must be used to fasten and secure the high-performance clay modules. The recesses provided for this purpose in the high-performance clay modules must be used.
- ✓ Objects to be attached to the ArgillaTherm[®] clay panel heating system, e.g. lamps or fire detectors, may only be screwed on and not nailed. Before doing so, it is essential to determine the exact position of the heating elements.
- ✓ Drill holes in the ArgillaTherm clay panel heating system may only be drilled without hammering. Hammer blows, impact drills, hammer drills and impact wrenches must not be used here, as with wood panel ceilings, in order to avoid the possible formation of cracks caused by this.

System Guarantee

With professional installation by ArgillaTherm[®] certified specialist tradesmen, observance of and compliance with the system requirements and use of the specified products in compliance with the work processes according to the installation instructions, the company ArgillaTherm GmbH assumes

Guarantee of 20 years for the high-performance clay modules of the electric clay panel heating system.

Exclusions

A warranty from ArgillaTherm[®] is generally excluded for such defects in the clay panel heating system that

- are based on building movements caused by building subsidence or natural forces.
- are caused by damage to the heating materials or the sensors and their electrical cables required for control.
- are based on vibrations of tools, such as hammer blows, impact drills, hammer drills and impact wrenches, the use of which is expressly prohibited.

